



**COMMERCIAL VEHICLE AUCTIONS LTD**  
THE UK'S MOST ESTABLISHED COMMERCIAL VEHICLE AUCTIONEERS

Carr Hill Industrial Estate  
Doncaster  
DN4 8DE

01302 732600 | cva.noreply@cva-auctions.co.uk

# VEHICLE INSPECTION REPORT

**GK22DZE**

## Daf XF 530

### Inspection

Serious Damage? No

### Vehicle

VAT Plus VAT

V5 Buyer To Apply

### Details

Reg. date 01/04/2022

Year 2022

Mileage 599,518 Km Not Warranted

Fuel Type Diesel

GVW 44000kg

Colour WHITE

VIN XLRTGH4300G394548

Body Style Tractor Unit

MOT Due Expired

Cab Type SUPER SPACE CAB

Gearbox AUTOMATIC

Axle Combi 6x2

Steering Combi Mid-Lift

Rear Suspension Air

\*WARNING LIGHT ON DASH\*, SLIDING 5TH WHEEL, SURROUND CAMERA SYSTEM

### Tyres

NSF	NSI1	NSI2	NSI3	NSI4
OSF	OSI1	OSI2	OSI3	OSI4
Spare	NSO1	NSO2	NSO3	NSO4
	OSO1	OSO2	OSO3	OSO4

## Features

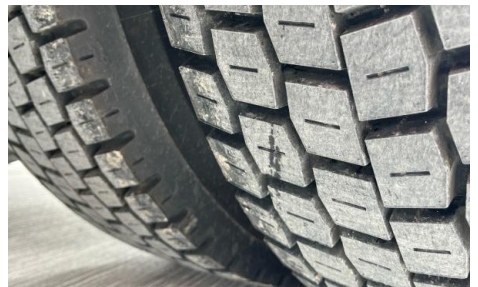
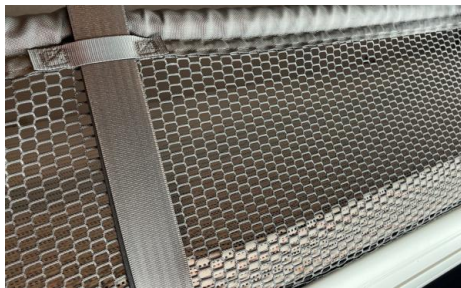
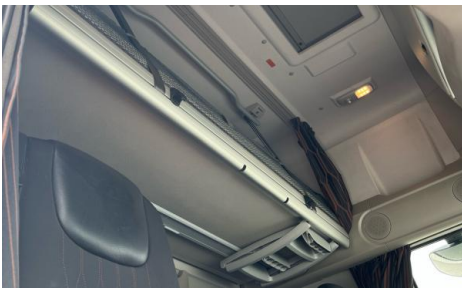
- Bluetooth connection
- Cruise control
- Radio/CD
- Air conditioning
- Front electric windows
- Central locking
- Cloth seat trim

## Photos

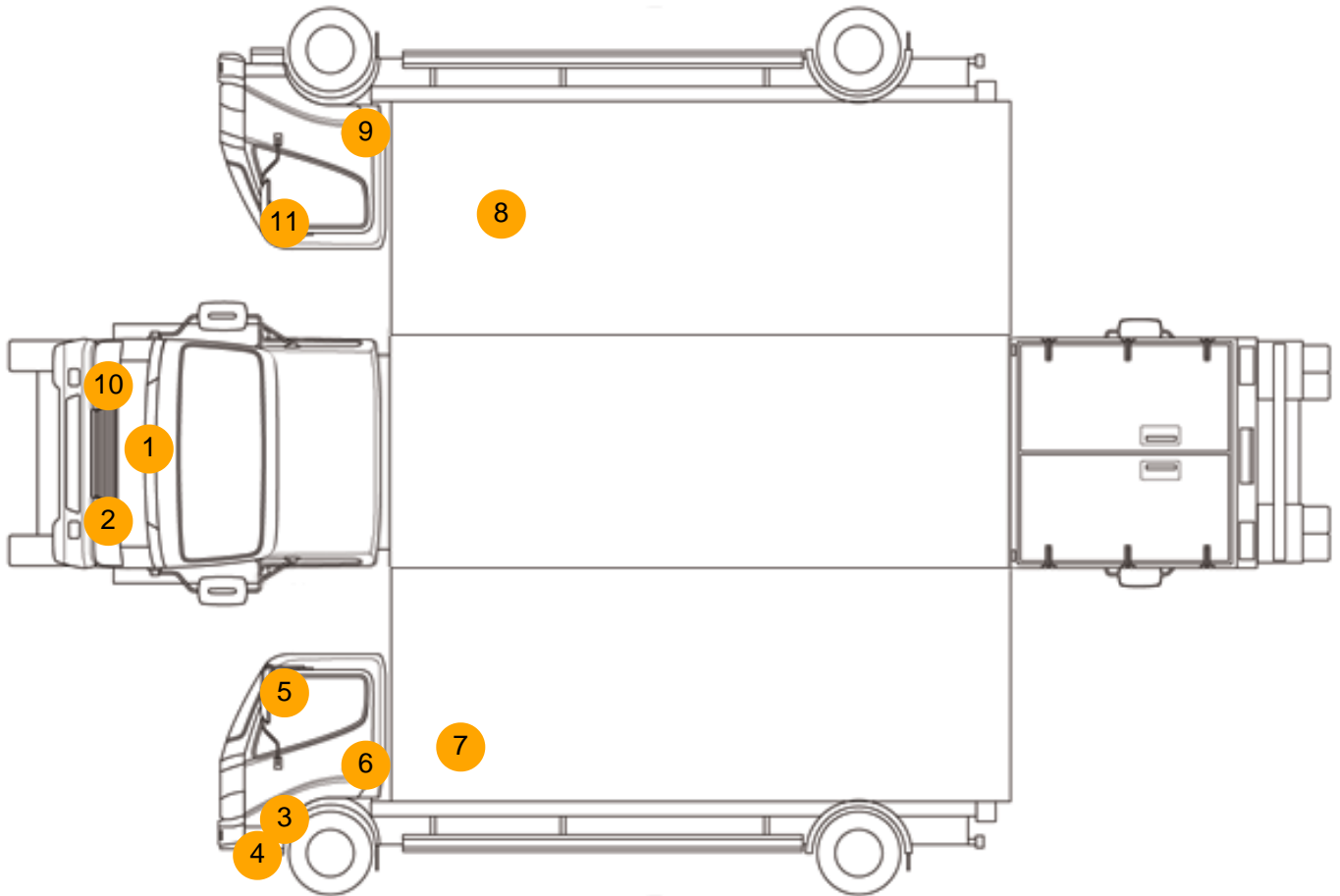




DAF TRUCKS N.V. Pneumatic characteristic data		
Compressor/unloader valve	MAX. cut-out press.: 12,3 bar	MIN. cut-in press.: 9,5 bar
Four-circuit protection valve	Static closure press. > 4,5 bar	
Minimum design pressure in the service braking system for calculation		= Min. cut-in pressure



## Condition Check



## Damage Photos



1: Bonnet  
Chipped  
Multiple Chips

2: Bumper Front  
Rusted  
UpTo 5mm



3: Bumper Front Moulding  
Scratched (Painted)  
Over 25mm Thru Paint

4: Bumper Front  
Scratched  
Up To 25mm Thru Paint



5: Door Mirror Assy nsf  
Scuffed (Unpainted)  
Over 100mm

6: Door nsf  
Poor Previous Repair  
Poor Paint



7: Qtr Panel nsr  
Poor Previous Repair  
Poor Paint

8: Qtr Panel osr  
Chipped  
Multiple Chips



9: Door osf  
Chipped  
Multiple Chips

10: Bumper Front  
Rusted  
Over 5mm



11: Door Mirror Assy osf  
Scratched (Painted)  
Over 25mm Thru Paint

12: Dash Warning Lights  
Displayed  
No Action

**Interior**

**Carpet Condition** -  
**Seat Condition** -

**Upholstery Condition** -  
**Odour** -

Engine Runs	OK	No Excessive Smoking	OK
Turbo Boosting	OK		
EML light illuminated	OK	DPF light illuminated	OK
ABS light illuminated	OK		